



Optimal

optimal P650



Tree Spade



Requirements for Power Unit:

A Wheel Loader, Skid Steer Loader, Telescopic Loader

1 extra hydraulic circuit, double-acting, for implement attachment at front

- hydraulic working pressure 140 - 180 bar (2,000-2,560 lbs./in²)
- oil flow 40-60 l per minute (11-16 GPM)
- tipping load approx. 1.000 kg (2,200 lbs.)
- lift capacity approx. 600 kg (1,320 lbs.)
- type of attachment quick-change frame or frame for fixed attachment
- controls: electro-hydraulic valves rotary control switch

B Farm Tractor

1 extra hydraulic circuit, double-acting, for implement attachment at rear

- hydraulic working pressure 140 - 180 bar (2,000-2,560 lbs./in²)
- oil flow 40-60 l per minute (11-16 GPM)
- engine capacity approx. 40 HP
- type of attachment lift mast HG 1500 with lateral slide
- controls 3 manual hydraulic valves for lift mast rotary control switch for tree spade
- optional PTO-driven hydraulic pump and oil depot

C Special attachments please enquire



Optimal

Optimal P650



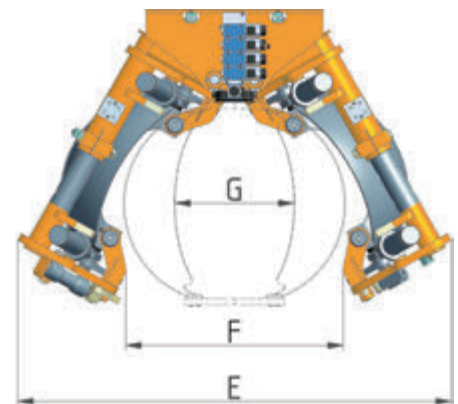
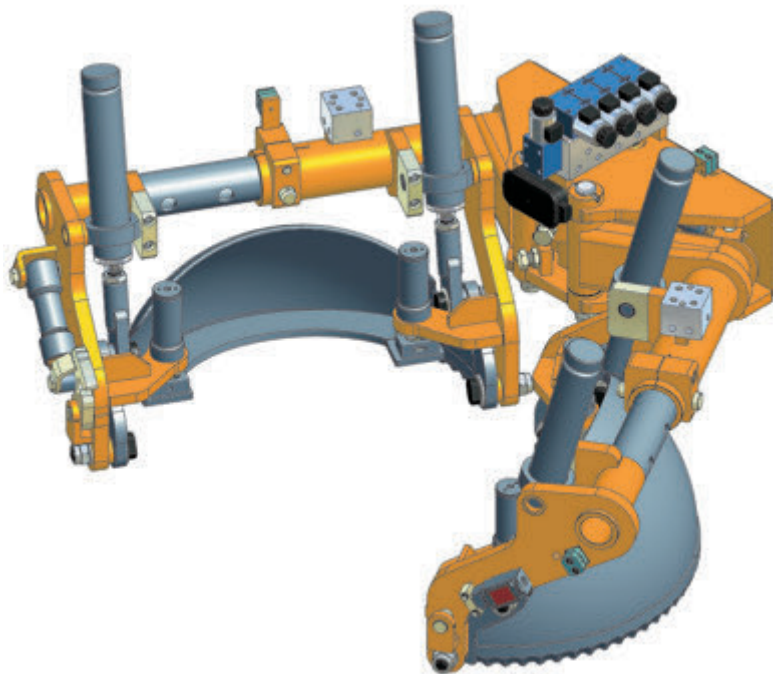
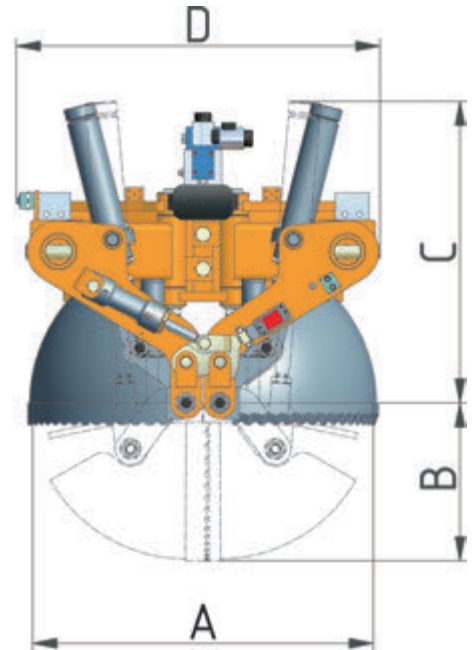
Tree Spade

Basic Machine:

upper rootball diameter, approx.	A	65 cm (45")	55 cm (21")	45 cm (17")
rootball depth, approx.	B	30 cm (12")	28 cm (11")	23 cm (9")
working height	C	66 cm (26")	65 cm (26")	64 cm (25")
working width, gate closed	D	73 cm (29")	73 cm (29")	73 cm (29")
working width, gate open	E	140 cm (55")	135 cm (53")	130 cm (51")
clearance between open gate	F	64 cm (25")	59 cm (23")	54 cm (21")
inner frame diameter	G	43 cm (17")	37 cm (15")	32 cm (13")
weight, empty		270 (594 lbs)	260 (572 lbs.)	250 kg (550 lbs.)
volume of rootball, approx.		0,065 m ³ (2 FT ³)	0,046 m ³ (1,5 FT ³)	0,027 m ³ (1 FT ³)
number of blades		2	2	2

Special Features

- low working height
- interchangeable scoop bades
- hydraulic rootball retainers
- self-lubricating bearings, abrasion-resistant

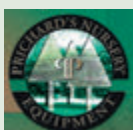


rotary control switch



Distributor:

Prichard's Nursery Equipment, LLC
 604 West Market Street
 P.O. Box 549
 Portland, TN 37148
 USA
 Phone: (423) 326-0753
 Fax: (615) 323-7667
sales@optimaltreespades.com
www.optimaltreespades.com



Manufacturer:

Optimal-Vertrieb Opitz GmbH
 Eysölden M 41
 91171 Thalmässing
 Germany
 Tel. + 49 91 73/79 18 0
 Fax. + 49 91 73/79 18 49
info@opitz-optimal.com
www.opitz-optimal.com

