



optimal 650



Tree Spade



Requirements for Power Unit:

A Wheel Loader, Skid Steer Loader, Telescopic Loader

1 extra hydraulic circuit, double-acting, for implement attachment at front

- hydraulic working pressure 140 - 180 bar (2,000-2,560 lbs./in²)
- oil flow 40-60 l per minute (11-16 GPM)
- tipping load approx. 1.000 kg (2,200 lbs.)
- lift capacity approx. 600 kg (1,320 lbs.)
- type of attachment quick-change frame or frame for fixed attachment
- controls: electro-hydraulic valves rotary control switch

B Farm Tractor

1 extra hydraulic circuit, double-acting, for implement attachment at rear

- hydraulic working pressure 140 - 180 bar (2,000-2,560 lbs./in²)
- oil flow 40-60 l per minute (11-16 GPM)
- engine capacity approx. 40 HP
- type of attachment lift mast HG 1500 with lateral slide
- controls 3 manual hydraulic valves for lift mast rotary control switch for tree spade
- optional PTO-driven hydraulic pump and oil depot

C Special Attachments please enquire



Optimal

optimal 650



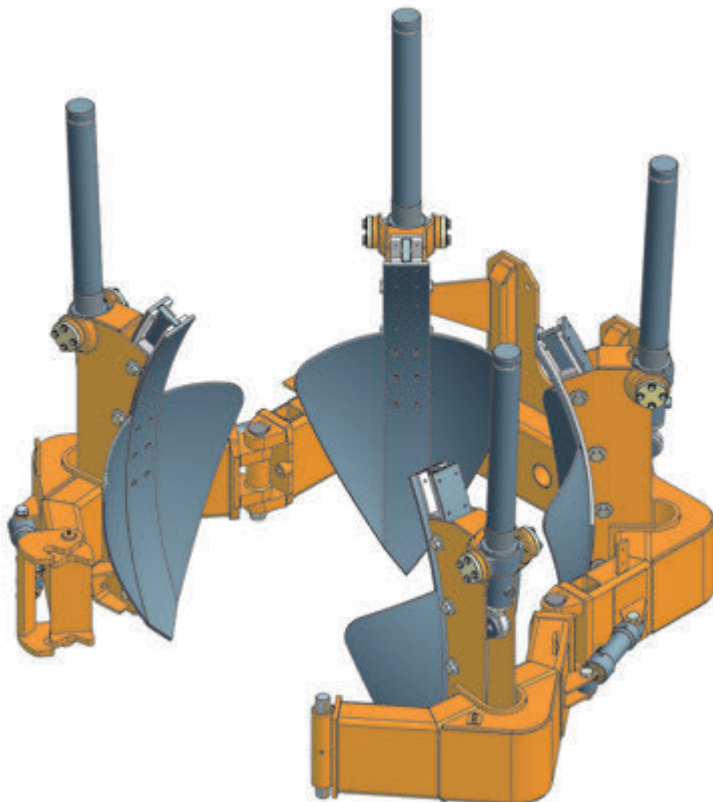
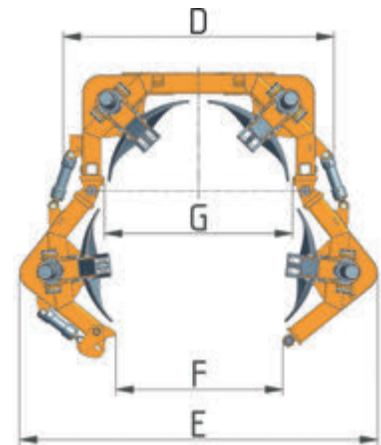
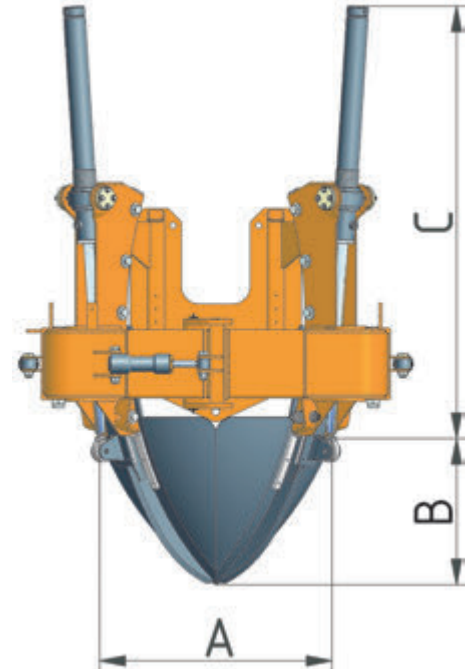
Tree Spade

Basic Machine:

| | | | |
|----------------------------------|---|---------------------|----------------------|
| upper rootball diameter, approx. | A | 65 cm | (26") |
| rootball depth, approx. | B | 49 cm | (19") |
| working height | C | 125 cm | (49") |
| working width, gate closed | D | 116 cm | (45") |
| working width, gate open | E | 137 cm | (54") |
| clearance between open gate | F | 58 cm | (23") |
| inner frame diameter | G | 65 cm | (26") |
| weight, empty | | 425 kg | (935 lbs.) |
| volume of rootball, approx. | | 0,11 m ³ | (4 FT ³) |
| number of blades | | 4 | |

Special Features

- exterior gate frame
- self-lubricating bearings, abrasion-resistant



rotary control switch



Distributor:

Prichard's Nursery Equipment, LLC
 604 West Market Street
 P.O. Box 549
 Portland, TN 37148
 USA
 Phone: (423) 326-0753
 Fax: (615) 323-7667
 sales@optimaltreespades.com
 www.optimaltreespades.com



Manufacturer:

Optimal-Vertrieb Opitz GmbH
 Eysölden M 41
 91171 Thalmassing
 Germany
 Tel. + 49 91 73/79 18 0
 Fax. + 49 91 73/79 18 49
 info@opitz-optimal.com
 www.opitz-optimal.com

