



Optimal

optimal 2000



Tree Spade



Requirements for Power Unit:

A Wheel Loader, Telescopic Loader

1 extra hydraulic circuit, double-acting, for implement attachment at front

- hydraulic working pressure 180 - 220 bar (2,588 - 3,190 lbs./in²)
- oil flow 80-100 l per minute (22-28 GPM)
- tipping load approx. 15.000 kg (33.000 lbs.)
- lift capacity approx. 8.500 kg (18,700 lbs.)
- type of attachment quick-change frame or frame for fixed attachment
- controls: electro-hydraulic valves control element

B Truck

- wheel formula: 6 x 6
- payload: 12.500 kg (27,500 lbs)
- permissible rear axles load, min.: 2 x 9.000 kg (2 x 19,800 lbs.)
- permissible gross weight min.: 24.000 kg (52,800 lbs.)
- length of superstructure, min.: 480 cm (189")
- overhang max.: 90 cm (35")
- wheelbase min.: 360 cm (142")
- PTO drive hydraulic pressure: 180 - 220 bar (2,588 - 3,190 lbs/in²)
- oil flow: 80 - 100 l per minute (22 - 28 GPM)
- raised exhaust controls: manual hand valves

C Special Attachments please enquire



optimal 2000



Optimal

Basic Machine:

upper rootball diameter, approx.	A	196 cm	(77")
rootball depth, approx	B	126 cm	(50")
working height	C	250 cm	(98")
working width, gate closed	D	220 cm	(87")
working width, gate open	E	315 cm	(124")
clearance between open gate	F	160 cm	(63")
inner frame diameter	G	140 cm	(55")
weight, empty		3.650 kg	(8,030 lbs.)
volume of rootball, approx.		1,74 m ³	(58 FT ³)
number of blades		4	

Special Features

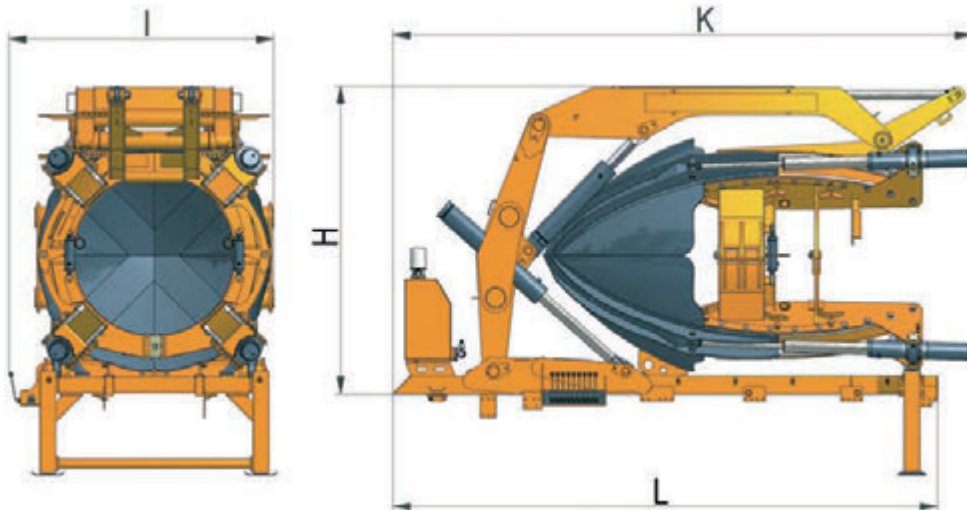
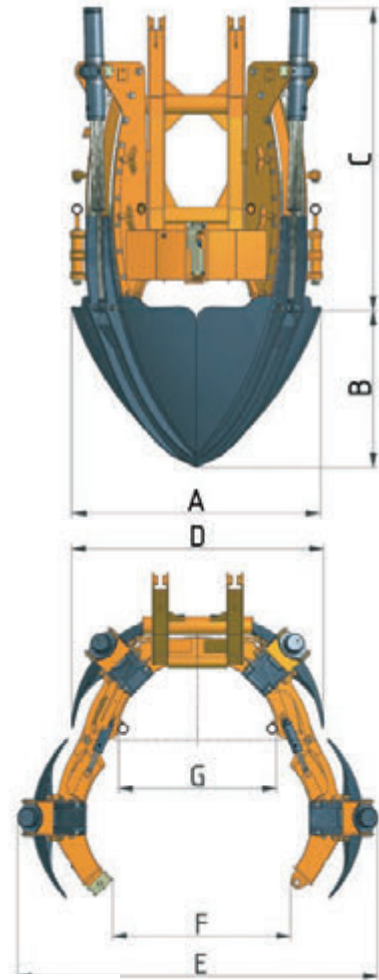
- telescopic blade cylinders, self-lubricating bearings (abrasion-resistant)

Superstructure:

transport height	H	270 cm	(106")
transport width	I	232 cm	(91")
min. length of truck platform	L	480 cm	(189")
overall length of superstructure (platform length + overhang)	K	520 cm	(205")
weight, empty		8.200 kg	(40,040 lbs.)

- Base frame (to be bolted to truck chassis),
- 2 articulated lift arms, digging head (as above), rotation on lift arm,
- 2 independently controlled rear stabilizers,
- hydraulic equipment complete with oil tank, hoses, cylinders and manual control valves

The purchaser must ensure that the combination of his truck and the Optimal tree spade is legal for highway use. Optimal-Vertrieb Opitz GmbH reserves the right



Tree Spade

Distributor:

Prichard's Nursery Equipment, LLC
 604 West Market Street
 P.O. Box 549
 Portland, TN 37148
 USA
 Phone: (423)326-0753
 Fax: (615)323-7667
 sales@optimaltreespades.com
 www.optimaltreespades.com



Manufacturer:

Optimal-Vertrieb Opitz GmbH
 Eysölden M 41
 91171 Thalmässing
 Germany
 Tel. + 49 91 73/79 18 0
 Fax. + 49 91 73/79 18 49
 info@opitz-optimal.com
 www.opitz-optimal.com

