



optimal 1100



Requirements for Power Unit:

A Wheel-Loader, Skid Steer Loader, Telescopic loader

1 extra hydraulic circuit, double-acting, for implement attachment at front

- hydraulic working pressure 160 - 200 bar (2300-2900 lbs./in²)
- oil flow 40-60 l per minute (11-22 GPM)
- tipping load approx. 3.500 kg (6,000 lbs.)
- lift capacity approx. 2.000 kg (3,000 lbs.)
- type of attachment quick-change frame or frame for fixed attachment
- controls electro-hydraulic valves, individual spade control electronic control element

B Farm Tractor

1 extra hydraulic circuit, double-acting, for implements attachment at rear

- hydraulic working pressure 160 - 200 bar (2300-2900 lbs./in²)
- oil flow 40-60 l per minute (11-22 GPM)
- engine capacity, approx. 80 HP
- type of attachment lift mast HG 1500 with lateral slide
- controls 3 manual hydraulic valves for lift mast rotary control switch for tree spade
- optional PTO-driven hydraulic pump and oil depot

C Special attachments please inquire



Optimal

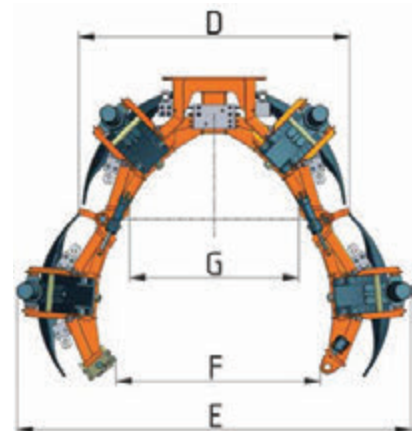
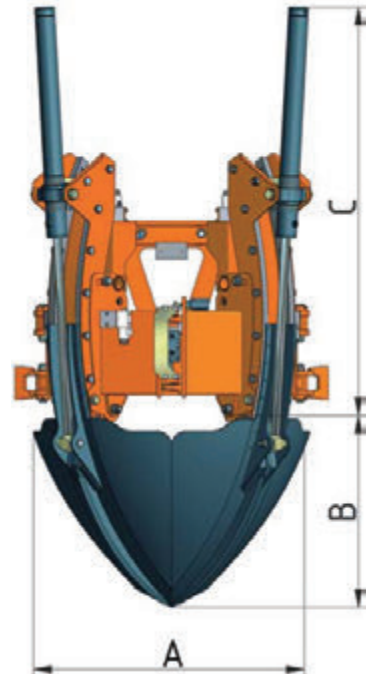
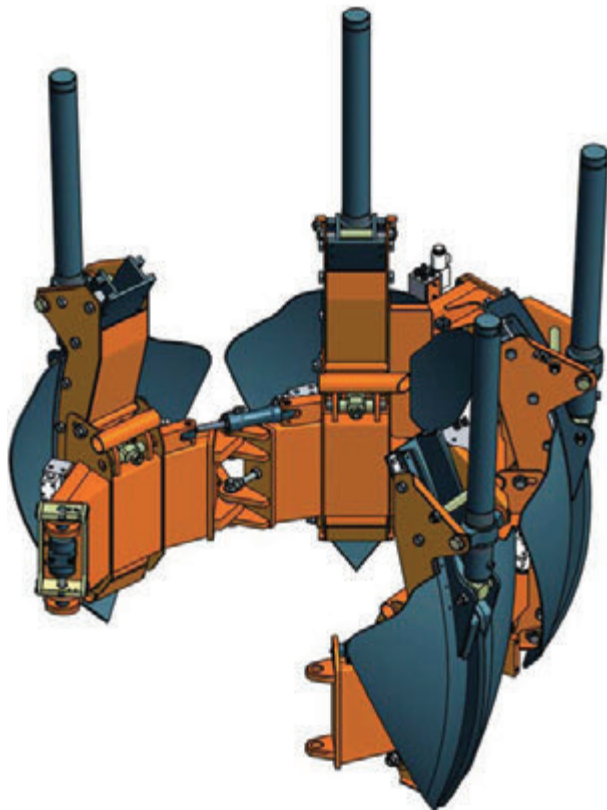
optimal 1100

Basic Machine:

upper rootball diameter, approx.	A	114 cm	(45")
rootball depth, approx.	B	75 cm	(30")
working height	C	179 cm	(70")
working width, gate closed	D	131 cm	(52")
working width, gate open	E	198 cm	(78")
clearance between open gate	F	100 cm	(37")
inner frame diameter	G	78 cm	(31")
weight, empty		925 kg	(2,035 lbs.)
volume of rootball, approx.		0,34 m ³	(12 FT ³)
number of blades		4	

Special Features

- Individual spade control
- collapsible spade towers for fast and precise spade alignment
- sturdy frame with enlarged cross-section and reinforced hinges
- improved gate lock system stabilizes main frame
- mechanism for infinitely adjustable and precise spade alignment
- self-lubricating bearings, abrasion-resistant



electric control element

Distributor:

Prichard's Nursery Equipment, LLC
 604 West Market Street
 P.O. Box 549
 Portland, TN 37148
 USA
 Phone: (423) 326-0753
 Fax: (615) 323-7667
 sales@optimaltreespades.com
 www.optimaltreespades.com



Manufacturer:

Optimal-Vertrieb Opitz GmbH
 Eysölden M 41
 91171 Thalmässing
 Germany
 Tel. + 49 91 73/79 18 0
 Fax. + 49 91 73/79 18 49
 info@opitz-optimal.com
 www.opitz-optimal.com

